

1. Apply Environmental Condition :

No.	Item	Specification
1-1	Storage Temperature Range	-20°C ~ 60°C
1-2	Operating Temperature Range	-10°C ~ 50°C
1-3	Operating Voltage Range	4.8V ~ 6.0V

2. Standard Test Environment :

2-1	Standard Test Environment	Every characteristic of the inspect must be normal temperature and humidity carry out the test , temperature 25±5°C and relative humidity 65±10% of judgment made in accordance with this specification standard testing conditions.
-----	---------------------------	--

3. Appearance Inspection :

No.	Item	Specification
3-1	Outline Drawing	Dimension see the attachment
3-2	Appearance	No damage which affects functions allowed

4. Electrical Specification (Function of the Performance) :

No.	Item	4.8	6.0V
4-1	Operating speed (at no load)	0.13 sec/60°	0.09 sec/60°
4-2	Running current (at no load)	150 mA	180 mA
4-3	Stall torque (at locked)	1.8 kg-cm	2.2 kg-cm
4-4	Stall current (at locked)	mA	1200 mA
4-5	Idle current (at stopped)	5 mA	5 mA

Note: Item 4-2 definition is average value when the servo running with no load

5. Mechanical Specification :

No.	Item	Specification
5-1	Overall Dimensions	See the drawing
5-2	Limit angle	220°±10°
5-3	Weight	13.5 ± 0.2 grams without servo horn
5-4	Connector wire gauge	# 26 AWG
5-5	Connector wire length	250 ±5 mm
5-6	Horn gear spline	21T/ φ 4.97
5-7	Horn type	Cross , Big cross , Disk , Flat
5-8	Reduction ratio	1/383



Product Name

DIGITAL SERVO

Model No.

HD-2216HB

Version

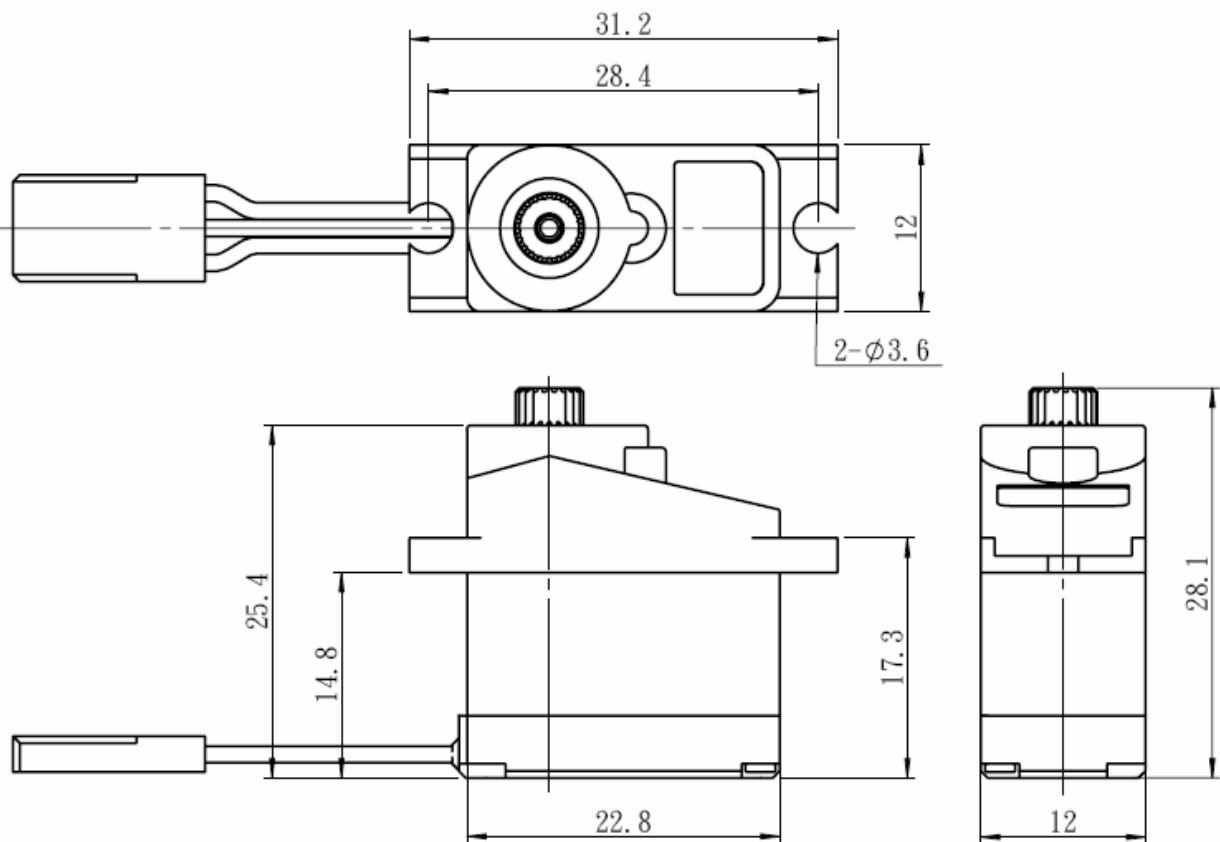
V1

Page

3/4

6. Control Specification :

No.	Item	Specification
6-1	Control system	Pulse width modification
6-2	Amplifier type	Digital controller
6-3	Operating travel	44° (when 1500 → 2000 μ sec)
6-4	Neutral position	1500 μ sec
6-5	Dead band width	5 μ sec
6-6	Rotating direction	Clockwise (when 1500 → 2000 μ sec)
6-7	Pulse width range	700 → 2300 μ sec
6-8	Maximum travel	Approx 150° (when 700 → 2300 μ sec)



Product Name
DIGITAL SERVO

Model No.
HD-2216HB

Version
V1

Page
4/4